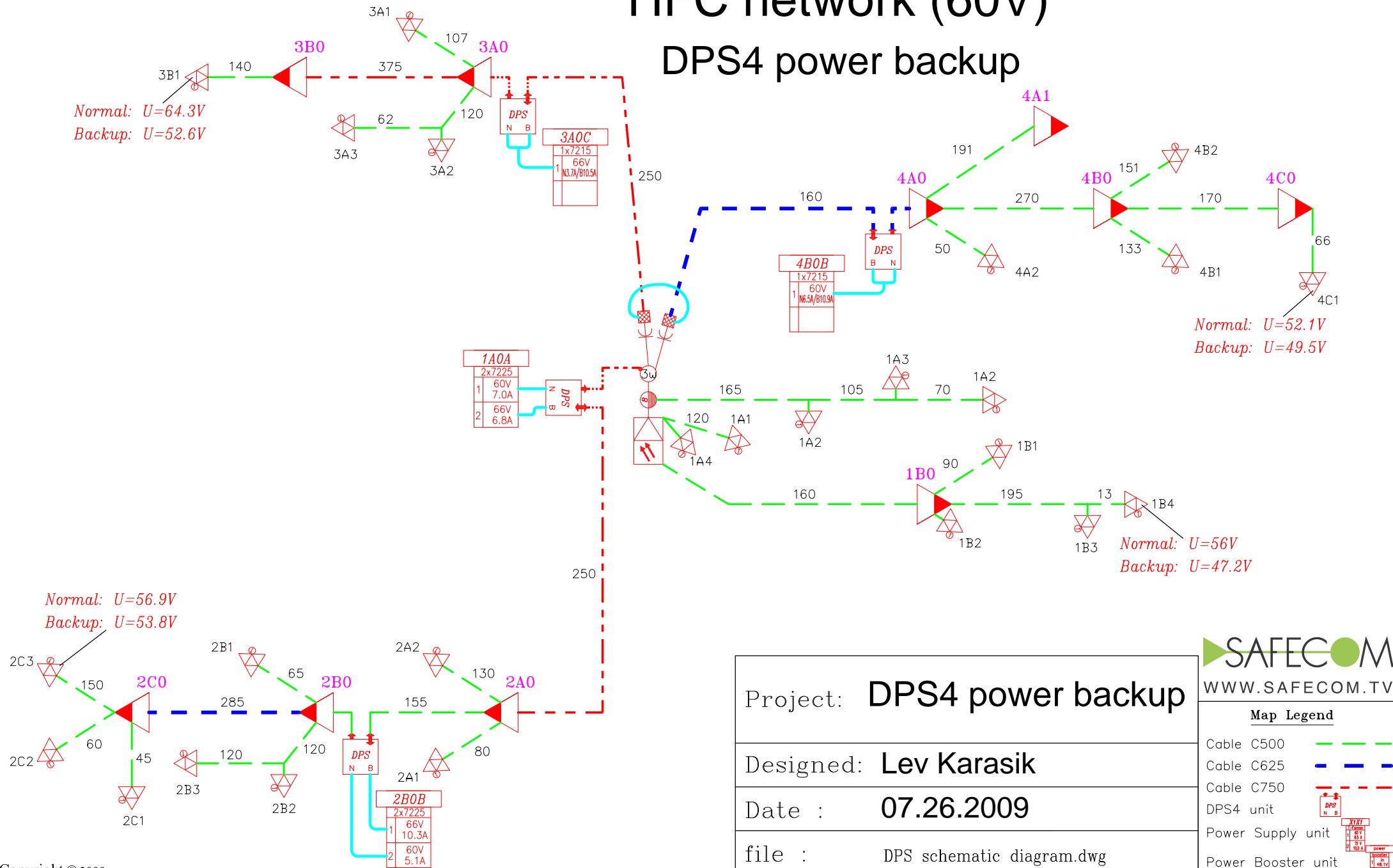


HFC network (60V) DPS4 power backup



Project: **DPS4 power backup**

Designed: **Lev Karasik**

Date : **07.26.2009**

file : **DPS schematic diagram.dwg**

Map Legend	
Cable C500	
Cable C625	
Cable C750	
DPS4 unit	
Power Supply unit	
Power Booster unit	