

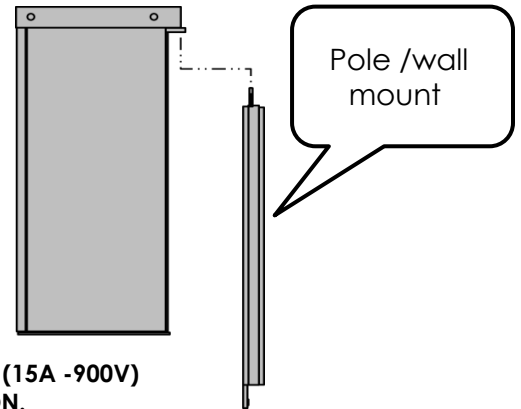
**CATV P.S 1350VA 15A 90V(US),63V(EU)
Model SC-STFPS-1350-90 A-O-M (OUTDOOR)**

Latest safecom's series P.S based on patented stabilized linear transformer enable to provide the CATV network pure sinus voltage without any RF & acoustical noises while offering top efficiency . New technology offers highest efficiency & low temperature with top reliability.

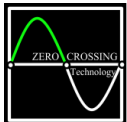
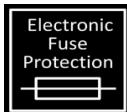
This new model has offering all range of voltage standards. Specifically developed for the advanced operation of active devices in CATV distribution systems .Designed for lifetime operation.



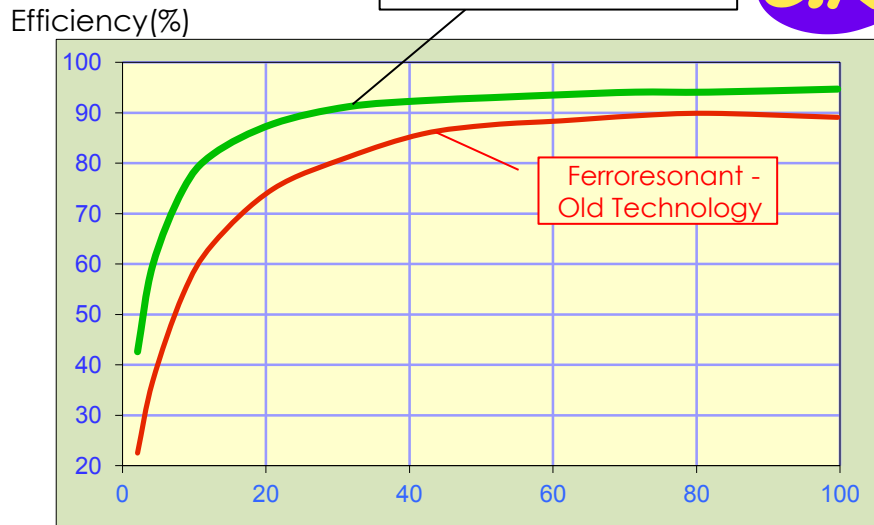
- ✓ 90Vac Max output 15A, 1350VA. (US model)
- ✓ 63Vavc output 15A , 945VA. (Europe model)
- ✓ Input voltage 120/220/230ac (-20/+15%), 50/60Hz
- ✓ Zero Crossing stabilized.
- ✓ Compact size.
- ✓ Closed Cabinet Installed with special brackets.
- ✓ For hanging mounts.
- ✓ Soft Start.
- ✓ Inrush current protection.
- ✓ 15A Electronic Overload protection
- ✓ Electronic Short Circuit protection.
- ✓ Designed for Unlimited lifetime operation.
- ✓ No Saturation , No Noise.
- ✓ Current / Voltage test point



- ✓ **1350 VA MAX (15A -900V)**
- ✓ **NO SATURATION.**
- ✓ **Low temperature.**



SAFECOM P.S - New Zero Crossing Technology



Load Pout (%)

**CATV P.S 1350VA 15A 90Vac
Model SC-STFPS-1350-90EI-M**

Model	SC-DTFPS-1350UO-M	SC-DTFPS-1350AO-M	SC-DTFPS-950EO-M
	Electrical		
Input Voltage range (Vac)	96Vac-138Vac	176-253Vac	
Input Frequency (Hz)	50/60 Hz		
Input Current (max-A)	12A(@120Vac)	6.2A(@230Vac)	4.4A(@230Vac)
Input inrush current	<5In single pulse of 5ms		
Input Power Factor	>0.98 (range 10-100% load)		
Output Voltage Range (Vac)	88Vac +/- 2.5%	88Vac +/- 2.5%	63Vac +/- 2.5%
Short circuit time response (ms)	<10		
Recovery time delay (sec)	>2		
Output Power (VA)	500		
Load Regulation (%)	<2%		
Electronic Output Protection			
Efficiency (%)	>94%		
	Mechanical		
Dimensions (L , W , H) mm	410 x 206 x 190		
Weight (Kg/lbs)	25 Kg /55L	22Kg / 44L	
Housing Finish	Corrosion protected + Epoxy coating		
	Environment		
Operating Temperature	-20°C ÷ +60°C		
Storage Temperature	-20°C ÷ +70°C		
Humidity	0 ÷ 100% non condensing		
	Standard Features		
Power Mains Cable	√		
Mains Transients Protection	√		
Output Coax socket	√		
Power Indication Green /Red LED	√		
Surge immunity			
EN61000-4-5	2.0kV (1.2/50µs, 2Ω). L →N and L,N →PE √		
ANSI\SCTE 81 2012	6KV 10/700µSec √		
Monitoring	Embedded HMS DOCSIS® & EuroDOCSIS Status Monitoring (Optional) √		